

OI-WF690 By Otis Instruments



WireFree Sensor Assembly

FEATURES & BENEFITS:

- Non-intrusive calibration with MENU, ADD and SUB
- Glass lid for viewing amplifier display
- Explosion and weather proof Moore enclosure
- Rapid response and clearing time
- Rain/splashguard for sensor protection

The Otis Instruments, Inc. WireFree Model OI-WF690 Sensor Assembly is an innovative wireless gas detection system designed to monitor gas in hostile environments without the use of wires or conduit from the controller to the sensor.

The OI-WF690 is self-contained and battery operated. The sensor functions by transmission of radio wave messages to the Relay OI-WF752, Interface OI-WF985, ProSafe OI-WF784, or any other compatible receiving controller. The device is field adjustable for background gas and addressable to eliminate interference with other systems.

The OI-WF690 enclosure is Class I, Division 1 certified and can be calibrated and configured non-intrusively by using an Otis Instruments, Inc. distributed magnet.

Features such as the relay/alarm tests and battery voltage indication make this device a truly remarkable gas detection system.



SPECIFICATIONS

Sensor Type:	Electro-Chemical '4' Series
Sensor Temp. Range:	-30° to 50° C (for standard gases)
Battery Type:	Lithium 8,5AH w/ connector
Battery Voltage:	3.6 VDC
Radio Options:	900 MHz 2.4 GHz
Unit Address:	1-255
Background Adj:	1-20 PPM
Certification:	Class I, Div. 1 Groups C & D
Enclosure:	Moore Explosion Proof
Warranty:	Device: 1 Year (limited) Battery: 90 Days

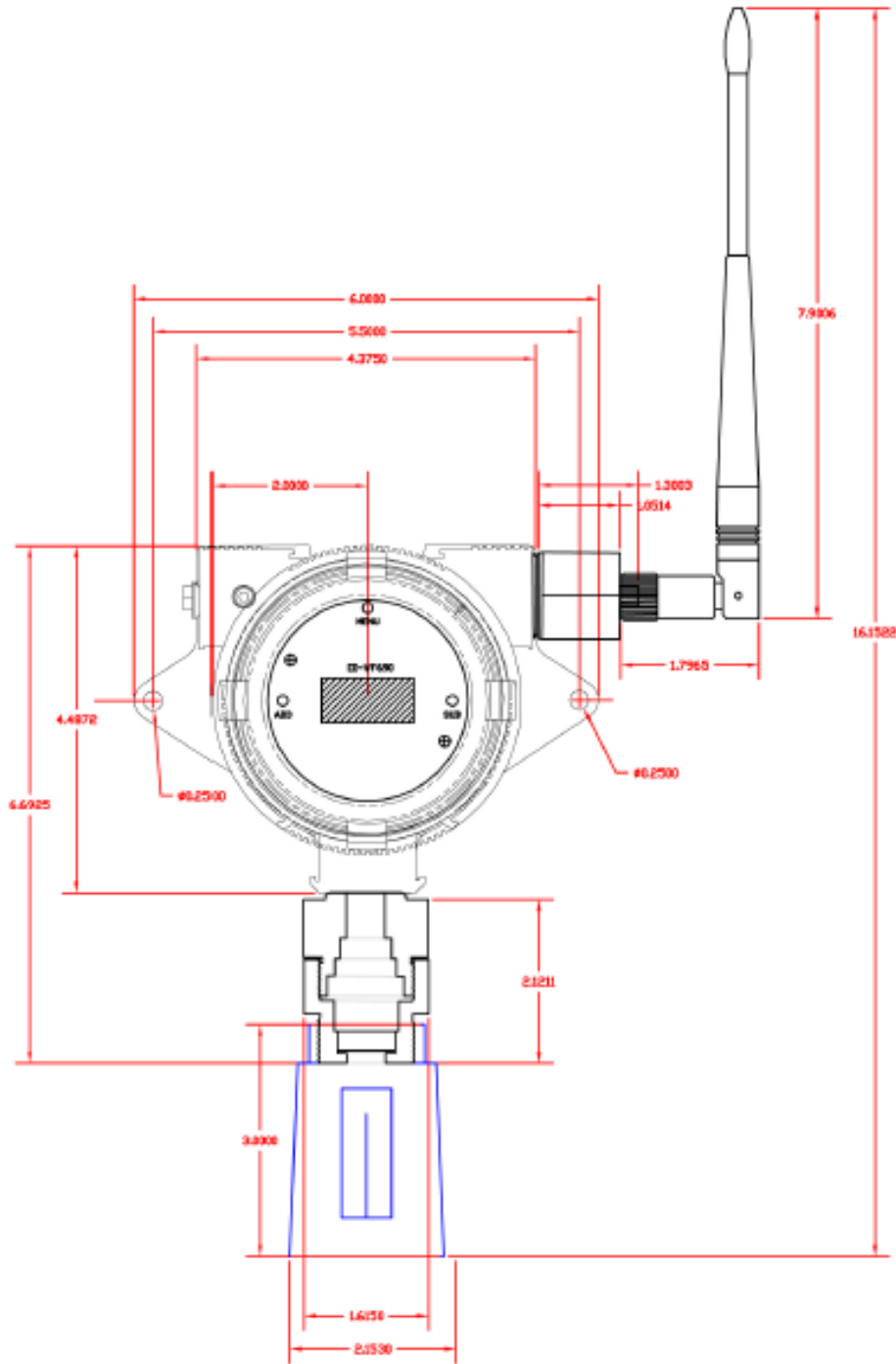
Otis Instruments, Inc.
2200 E. Villa Maria Dr
Bryan, TX 77802

979.776.7700

Fax: 979.776.7719

info@otisinstruments.com
www.otisinstruments.com

DIMENSIONS



Revision 2.3

Otis Instruments, Inc.
2200 E. Villa Maria Dr
Bryan, TX 77802
979.776.7700
Fax: 979.776.7719
info@otisinstruments.com
www.otisinstruments.com